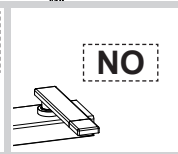
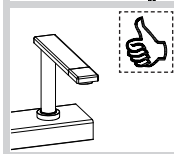
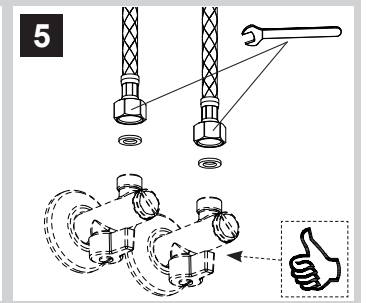
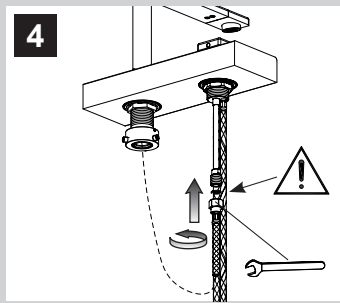
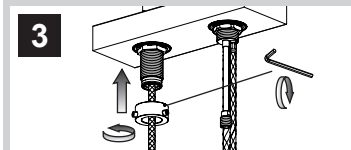
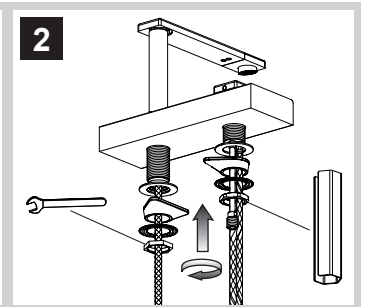
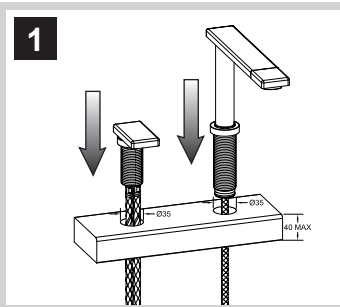
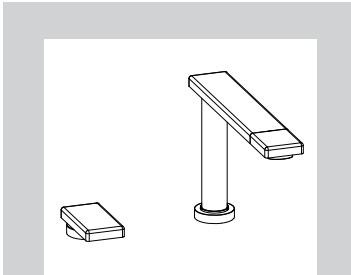
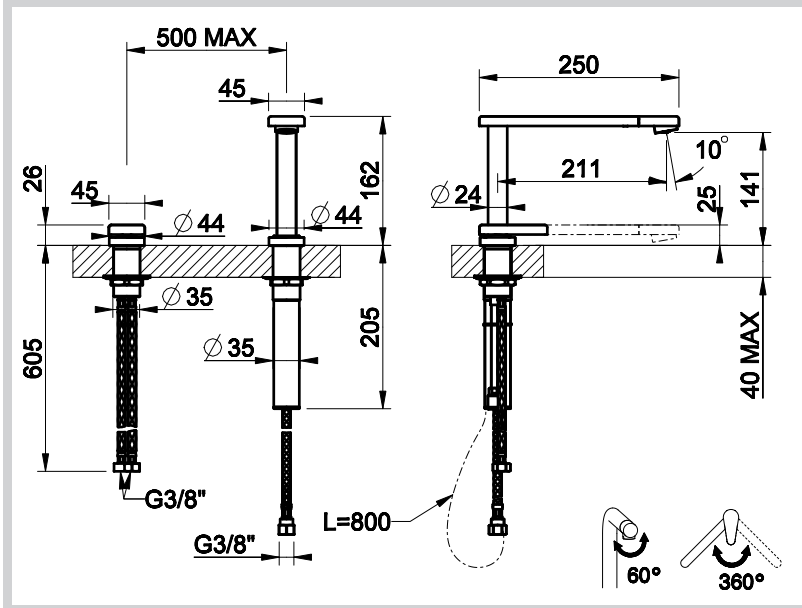
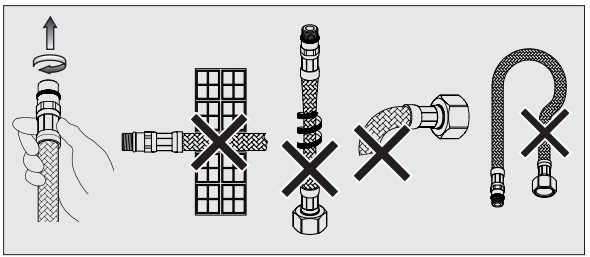
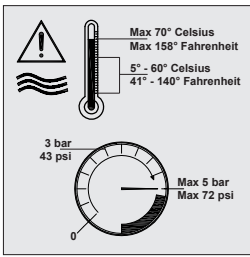
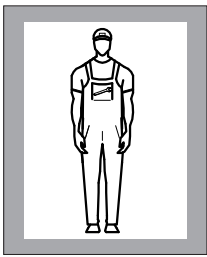
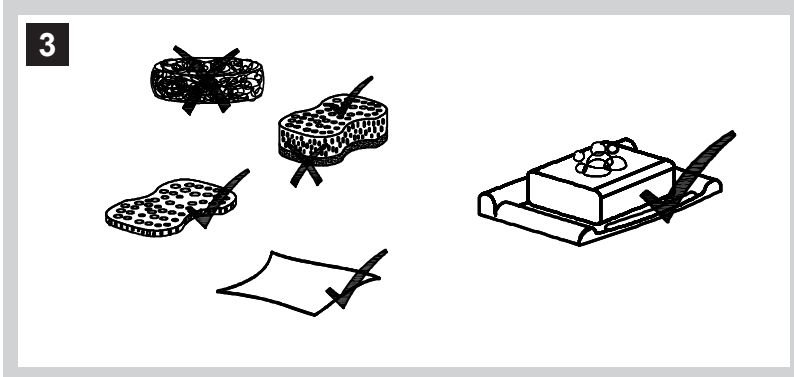
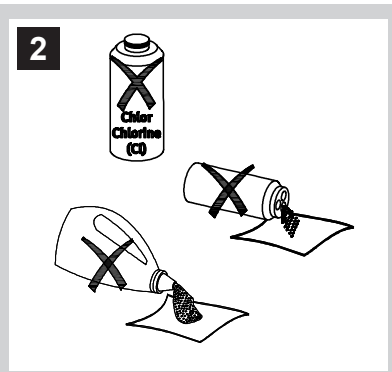
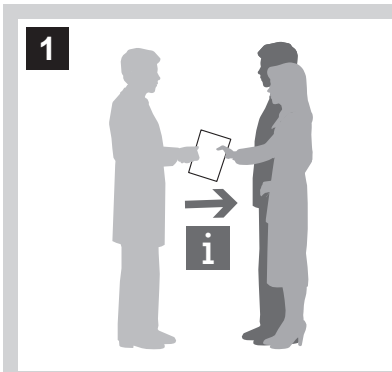
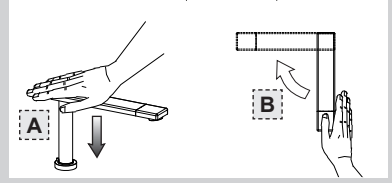
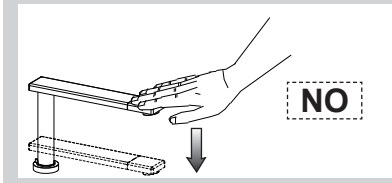
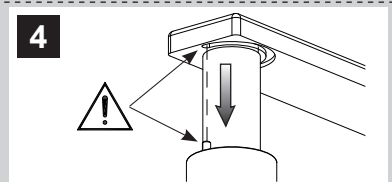
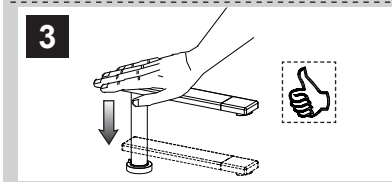
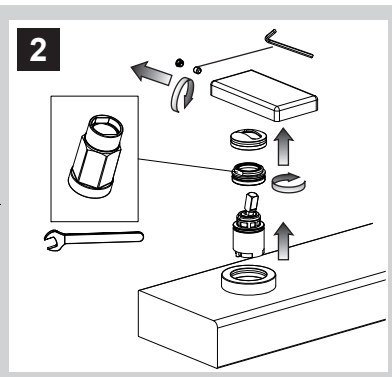
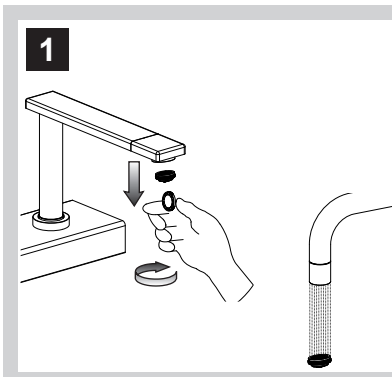
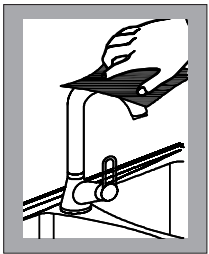
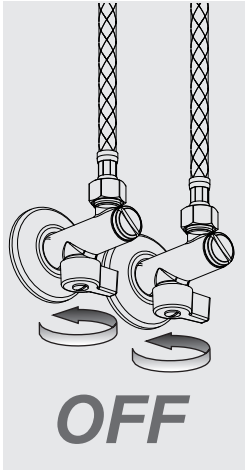
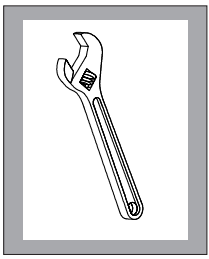


Foster



KITCHEN MIXING
PROGRAM





Foster

FOSTER S.p.A.

Via M.S. Ottone, 18/20 - 42041 Brescello (RE) - Italy
tel. +39 0522 687425 - tel. servizio assistenza +39 0522 684450
fax +39 0522 686019 - fax servizio ricambi +39 0522 962166
e-mail: service@fosterspa.com
www.fosterspa.com